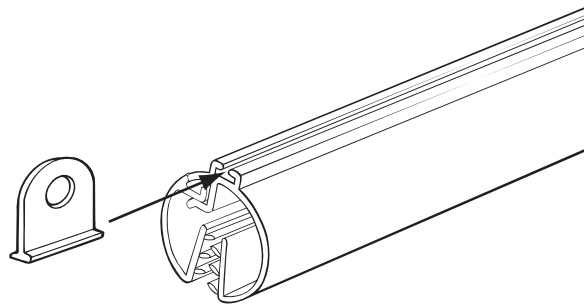


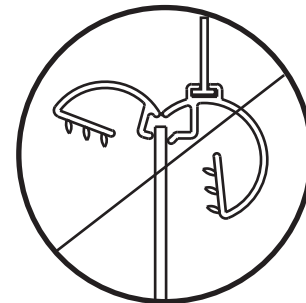
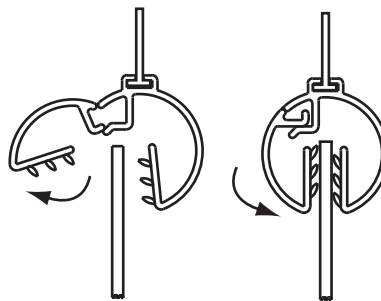
①

Slide Hanger Clips into top track of Space Commander® Banner Tube.



②

Pry open hinged side. Start at one end of tube, and work your way down tube until it is completely open. Insert banner, snap shut tube to lock banner in place.



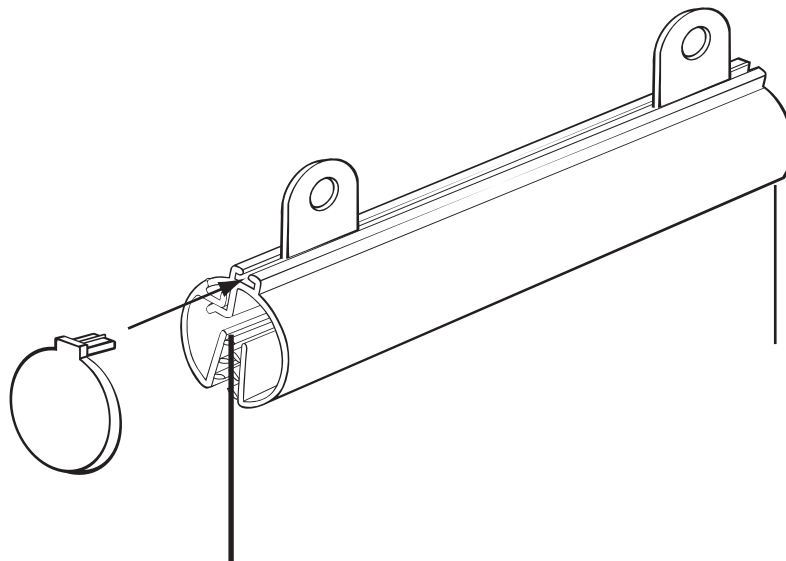
CAUTION:

Do not feed banner into clamping mechanism.

NOTE: See illustration at right to determine how far to insert banner into banner hanger. Inserting banner too far into banner hanger may damage its hinge.

③

Insert End Caps into top track of Banner Tube.



20190523